



Flame detector

QRA4.U

UV flame detector for use with burner controls from Siemens for the supervision of gas or oil flames.

The QRA4.U and this Data Sheet are intended for use by OEMs which integrate the flame detectors in their products.

Use

The flame detector is used for the supervision of gas flames, yellow- or blue-burning oil flames and for ignition spark proving in intermittent operation.

The QRA4.U is for use with the following types of burner control:

Burner control	Data Sheet
LFL...	N7451
LFE1...	N7461
LFE10...	N7781
LGB2... / LGB4... with AGQ1...	N7435
LME21...A2 / LME22...A2 with AGQ3...	N7101
LME39...A2 with AGQ3...	N7106
LME41...A2 / LME44...A2 with AGQ3...	N7101
LME7...	N7105
LMV2... / LMV3...	N7541
LMV5... with AGQ1...	N7550

Warning notes



To avoid injury to persons, damage to property or the environment, the following warning notes must be observed!

Do not open, interfere with or modify the flame detector!

- **Condensation, formation of ice and ingress of water are not permitted!**
- All activities (mounting, installation and service work, etc.) must be performed by qualified personnel
- Before making any wiring changes in the connection area, completely isolate the plant from mains supply (all-polar disconnection). Ensure that the plant cannot be inadvertently switched on again and that it is indeed dead. If not observed, there is a risk of electric shock hazard
- Ensure protection against electric shock hazard by providing adequate protection for the connection terminals
- Each time work has been carried out (mounting, installation, service work, etc.), check to ensure that wiring is in an orderly state
- Halogen lamps, welding equipment, special lamps or ignition sparks may produce sufficient radiation for the detector's UV cell to ignite. X-rays and gamma radiation can also generate erroneous flame signals
- Fall or shock can adversely affect the safety functions. Such detectors must not be put into operation, even if they do not exhibit any damage

Mounting notes

- Ensure that the relevant national safety regulations are complied with

Installation notes

- Always run the high-voltage ignition cables separate while observing the greatest possible distance to the detector and to other cables

Electrical connection of the flame detector

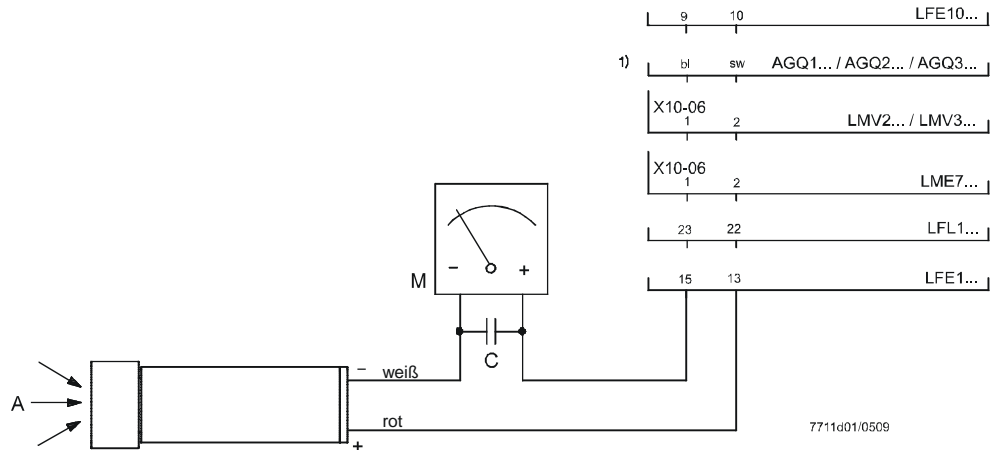
It is important to achieve practically disturbance- and loss-free signal transmission:

- Never run the detector cable together with other cables
 - Line capacitance reduces the magnitude of the flame signal
 - Use a separate cable
- Observe the permissible lengths of the detector cable (refer to «Technical data» of burner control used)
- The connecting wires must be run through protective tubing (made of plastic or earthed metal)

Commissioning notes

- Trouble-free burner operation is ensured only when the intensity of UV radiation at the detector's location is high enough for the detector's UV cell to ignite during each half wave. The **intensity of UV radiation** at the detector's location is **checked by measuring the detector current** (refer to Data Sheet of the respective burner control)

Measuring circuit
for QRA4.U



Legend

- 1) Connection of microammeter across adapter AGQ1... / AGQ2... / AGQ3... and flame detector
 A Incidence of radiation
 M Microammeter (DC), internal resistance $\leq 5,000 \Omega$
 C Electrolytic capacitor 100...470 μF , DC 10...25 V

Standards and certificates

Only in connection with
the burner control



Conformity to EEC directives
 - Electromagnetic compatibility EMC (immunity) 2004/108/EC
 - Directive for gas appliances 90/396/EEC
 - Low-voltage directive 2006/95/EC



ISO 9001: 2000
Cert. 00739



ISO 14001: 2004
Cert. 38233



Service notes

The UV cell is glued inside the housing and cannot be removed. When the end of the UV cell's service life is reached, the complete flame detector must be replaced.

Disposal notes


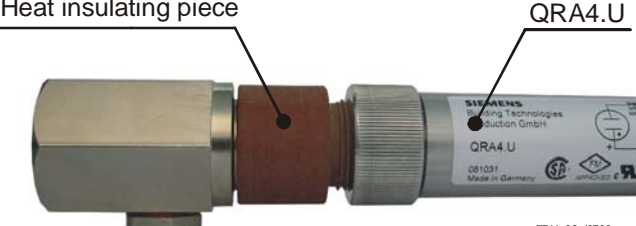


The flame detector contains electrical and electronic components and must not be disposed of together with domestic waste.
Local and currently valid legislation must be observed.

Mechanical design

Flame detector QRA4.U

UV flame detector for frontal illumination.
 Housing made of aluminium, with $\frac{3}{4}$ "-14NPSM connecting thread for fitting the detector to the burner or boiler.
 Connecting wires of about 1.8 m length for the electrical connection.
 $\frac{1}{2}$ "-14NPSM thread for a fitting, required for the connection of a Menzel tube for protecting the connecting wires ($\frac{1}{2}$ " conduit).

Product no.	Designation
AGG04	<p>Mounting coupling</p> <p>Adapter of QRA4.U-NPSM thread for a European pipe thread.</p> 
(Spare part)	<p>Heat insulating piece between QRA4.U and mounting coupling AGG04.</p> <p>Heat insulating piece</p> 




AGG04



Heat insulating piece

Technical data

General detector data	Average life of UV cell	Approx. 10,000 hours at max. +50 °C, higher ambient temperatures reduce considerably the cell's life	
	Perm. combustion chamber pressure	Max. 150 mbar	
	Degree of protection	IP54 (to be ensured through mounting)	
	Mounting position	Optional	
	Weight	Approx. 180 g	
	Device safety class	II (double-insulated) 	
	Length of connecting wires	Approx. 1,800 mm	
	Conduit for protective sleeve (Menzel sleeve)	½"-14NPSM thread	
	Environmental conditions	Storage	DIN EN 60721-3-1
		Climatic conditions	Class 1K3
		Mechanical conditions	Class 1M2
		Temperature range	-20...60 °C
		Humidity	<95% r.h.
Transport		DIN EN 60721-3-2	
Climatic conditions		Class 2K3	
Mechanical conditions		Class 2M2	
Temperature range		-20...60 °C	
Humidity		<95% r.h.	
Operation		DIN EN 60721-3-3	
Climatic conditions		Class 3K5	
Mechanical conditions	Class 3M5		
Temperature range	-20...60 °C		
Humidity	<95% r.h.		

Function

With this type of flame supervision, the UV radiation emitted by gas or oil flames is used to generate the flame signal.

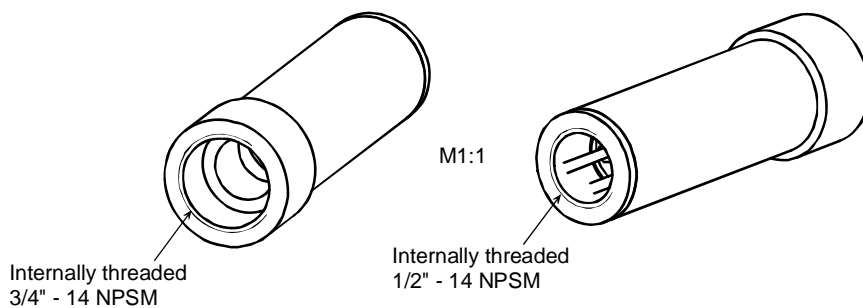
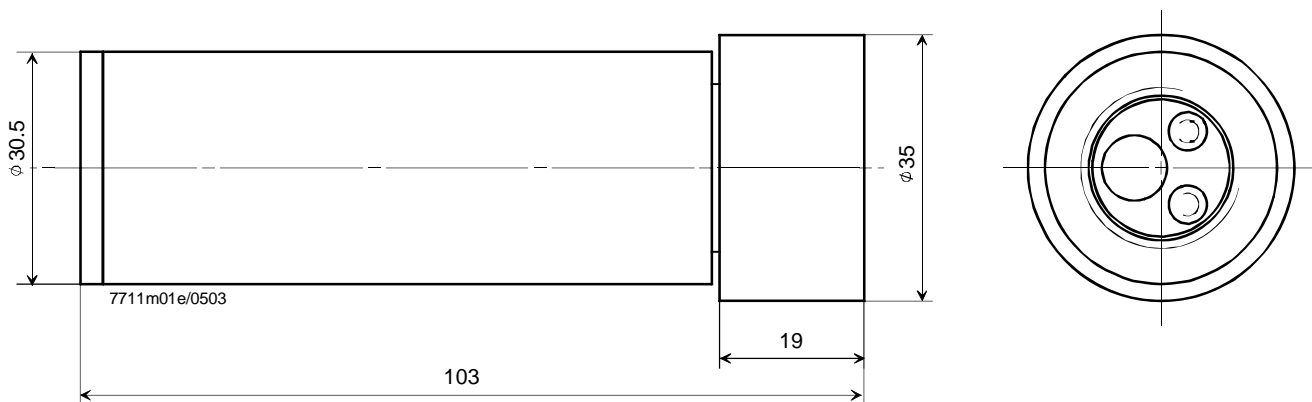
The radiation detector is a UV-sensitive cell with 2 electrodes, which ignite when illuminated with radiation in the 190...270 nm range of the spectrum, thereby triggering a current in the flame detector circuit.

The UV cell does not respond to glowing firebrick in the combustion chamber or to daylight.

Dimensions

Dimensions in mm

Flame detector QRA4.U



Mounting coupling
AGG04

